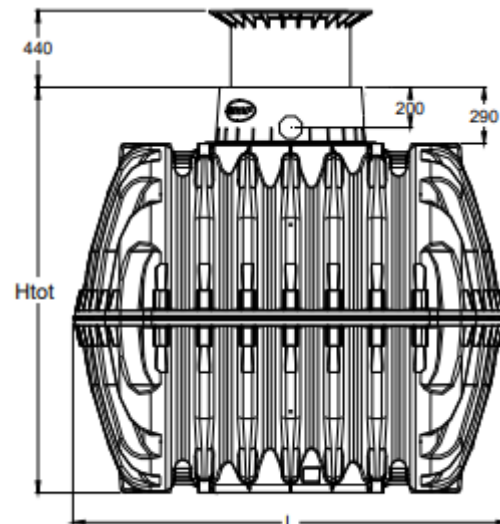
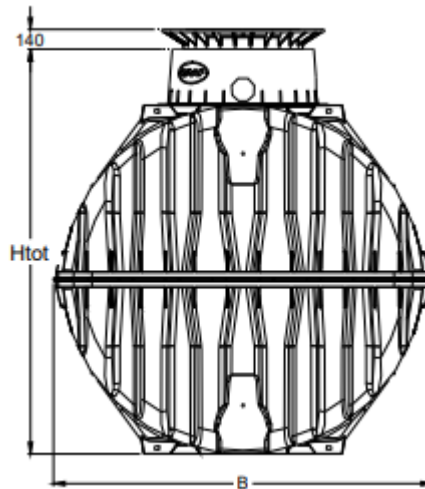


# 4800L Carat Tank



## SPECIFICATIONS

MANUFACTURER:	AUSTRALIA
MODEL:	CARAT 4800L
LENGTH (MM):	2,280
(HTOT) - TOTAL HEIGHT (MM):	2,430
WIDTH (MM):	1,985
WEIGHT:	181kg
EARTH COVERING:	800 - 1,200 mm

## ACCESS COVER OPTIONS

ACCESS COVER	CLASS	WEIGHT	CONFIGURATION
EXTENSION	N/A	6kg	Effective length 305mm
MINI TELESCOPIC DOME SHAFT WITH LID, SUITABLE FOR PEDESTRIAN LOADING	A (max. 150kg)	8.8kg	140mm-340mm
MAXI TELESCOPIC DOME SHAFT WITH LID, SUITABLE FOR PEDESTRIAN LOADING	A (max. 150kg)	15kg	140mm-440mm
TELESCOPIC DOME SHAFT WITH CAST IRON LID, SUITABLE FOR VEHICLE LOADING	B (max. 3.5t)	55kg	140mm-440mm
TELESCOPIC DOME SHAFT TRUCK	D	72.5kg	140mm-440mm

## ADAPTOR TANK SQUARE 06.1122

RANGE OF INSTALLATION	DIAMETER	SQUARE OPENING
88mm—388mm	620mm	750mm

**GPS ENVIRONMENTAL**  
WASTE WATER SPECIALISTS

PH: 0428 313 777

[www.gpsenvironmental.com.au](http://www.gpsenvironmental.com.au)

# 4800L Carat Tank

